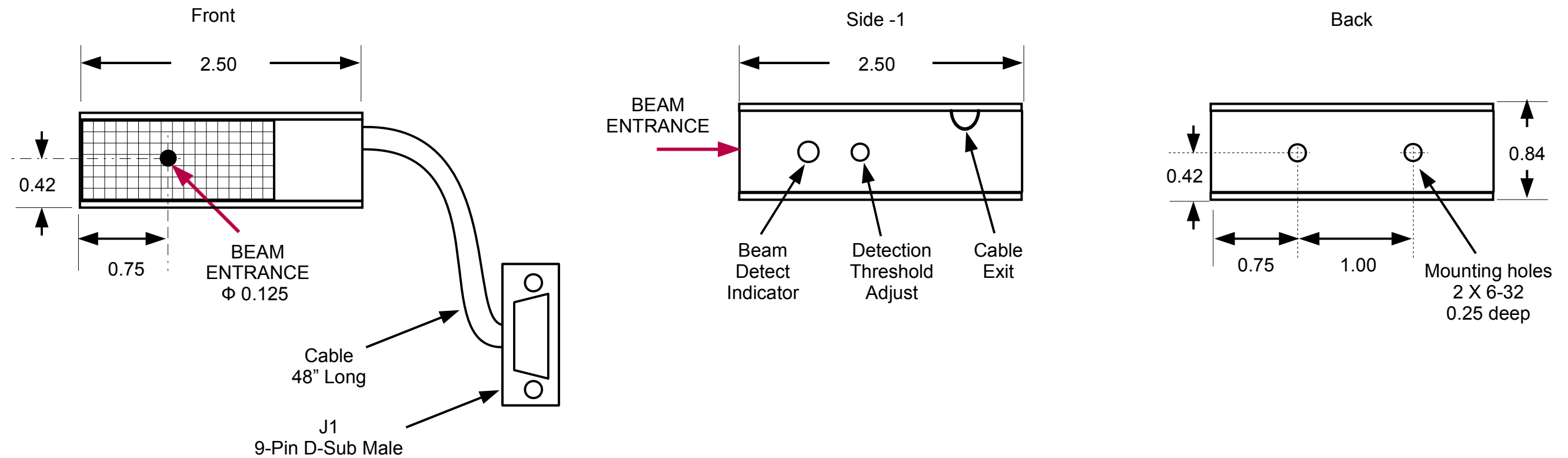


LTR	Description	ECN No.	Date	Initial
A	Initial Release		12-11-2013	E.E.



J1 CONNECTIONS	J1 PIN #	WIRE COLOR	NOTES
+5V Power Input	1	RED	0.1A Typ.
Case Ground	2	GREEN/BARE	Cable Shield
Remote Threshold Adj.	3	ORANGE	Detection Threshold Adj. (0-5V)
Sensor Temperature	4	VIOLET	17.25mV/°C, 1.5V = 22°C
Digital Output	5	BLUE	Logic LOW = Beam Present
Power Return	6	BLACK	5V Return
Analog Output Signal	7	YELLOW	Beam Intensity (0 - 5V)
Analog Return	8	BROWN	Signal Ground
Digital Return	9	GRAY	Digital Ground

SPECIFICATIONS	VALUE	UNITS	NOTES
Spectral Range	6 - 20	µm	CO2 Laser Compatible
Maximum Optical Input	60	Watt	10% Duty Cycle
Minimum Detectable Input	0.01	Watt	
Detection Threshold	0.01 - 60	Watt	Adjustable
Detection Output Signal	10	mA	Digital (TTL) Active Low
Analog Output Signal	0 - 5	V	Proportional to Beam Intensity
Response Time	1.5	ms	50mW Pulse, 10ms Recovery
Power Requirement	5	V	0.1A
Operating Temperature Range	-20 to +85	°C	

Material Al 6061-T6	Proprietary Information Do not share with a third party without written approval from SignalTronix	Tolerances unless otherwise specified: X.XXX = ±0.005" X.XX = ±0.01" Angles = ± 0.5°	Date 12-11-2013	SignalTronix	Part No. SDA200-02	Rev. A
Finish Anodize, Type-II Blk.		Projection	Approval E.E.		File Name File: SDA200-02A	Part Name Detector - IR Outline & Mounting